

# HOMEBREW COMPUTER CLUB

# NEWSLETTER

*THIS OUTSIDE PAGE IS UNREAL* - That is, it's not the front and back of the "real" HCC NEWSLETTER. Instead, it is a form used by the six Bay Area Chapters of the Association for Computing Machinery (ACM). By using it, you may:

1. Request information and subscriptions (many without cost) from almost 90 organizations and publishers,
2. Subscribe to some of the local ACM publications, thereby keeping informed of their meetings, speakers, technical sessions, low-cost tutorials and seminars, etc.. All of these activities are open to *all* interested individuals; ACM membership is *not* required.
3. Apply for membership in the local ACM Chapters (Local membership requires membership in the national ACM).

This is also an opportunity for us to test bulk-rate mailing, costing \$.018@ instead of \$.13@ or \$.26@. Also, the ACM is paying for this mailing. We would like to take this opportunity to thank them.

*WHAT IS THE ACM?* - It is the largest organization of computer specialists in the world. The enclosed brochure give more details. It has six local Chapters; two ACM Chapters, and four Special Interest Groups (SIG's):

*The Peninsula SIGMICRO Chapter* is particularly concerned with microprocessors and microprogramming, and is undoubtedly the group of greatest interest to the Homebrew mob. It has almost-monthly technical sessions. Though less than two years old, it has already sponsored a number of nationally known speakers. These have included:

Federico Faggin, the designer of all Intel micros from the MCS-4 through the 8080,  
Mike Galey from IBM, the current Chairman of National SIGMICRO, and of the IEEE Tech. Committee on Microprogramming,  
Justin Rattner, Manager of Bipolar Software in the Microcomputer Systems Department at Intel,  
Mike Flynn, the Vice President of the IEEE Computer Society, and a full Professor of Electrical Engineering at Stanford,  
Alan Kotok, the "father" of the PDP-10 Family of computers manufactured by Digital Equipment Corporation,  
Sven Simonsen, Technical Director for Advanced Micro Devices (AMD),  
David Wyland, Manager of Microprocessor Design at Monolithic Memories, and on and on.

The talks have included: Do You Trust Your Calculator?, Minicomputers for the Hobbyist  
Designing a Microprocessor Based Product, Technology and Microprocessor Design  
The FPLA, a 2nd Generation LSI Element, Bipolar & MOS Microprocessors, and the AMD2900 Family, etc..

Sessions in the next several months will include:

A. J. Nichols, Manager of Microcomputer Applications, Intel, "Unusual Applications of Microprocessors" (April 8th),  
Dr. George Rossman, Research Associate, Palyn Associates, "Soft Machine Architecture" (May 4th).

The other five Chapters of the ACM will also be of interest to HCC members, in varying degrees:

*The Peninsula ACM Chapter* has been active for 20 years. Its programs include monthly dinner speakers, low-cost tutorials, youth groups, a computer exhibit, and interest-free student loans at several local colleges and universities. Its speakers have included a considerable number of national and international figures in the computer profession. Recent speakers have included:

Henry Tropp, Smithsonian Institution, "The History of the Electronic Digital Computer"  
David Hall, SRI, "Biocybernetic Communication: Research and Possibilities for Controlling Machines with Thought"  
Daniel McCracken, author, lecturer, and consultant, "Computers and Public Policy"  
Community Computer Center, "Computer Games and their Implications" etc..

Peninsula Chapter tutorials, usually costing \$20-\$40 for a 1-3 day session, have included:

Practical System Design Using the Intel 8080 and the Motorola 6800, Introduction to PL/I,  
Computer Graphics: An Introduction and Survey, Microprocessor Survey  
Structured Programming and Other Tools, Computer Abuse & Security, etc..

*The Peninsula SIGPLAN Chapter* is concerned with the design and implementation of programming languages and their compilers. As with the other Chapters, its roster of past speakers includes a number of nationally known computer scientists. Most of its sessions are probably outside of the mainstream of interest for the computer hobbyist, however. They usually concern compiler esoterica or language designs that presume more computer facilities than are usually found in hobbyist systems.

*The Golden Gate ACM Chapter* serves the San Francisco - East Bay - Marin County area in the same way that the Peninsula ACM Chapter serves the South and Central Peninsula, though it tends to be more oriented towards business data processing. It has monthly dinner speakers, seminars, tutorials, etc., which have included:

Steven Coles, SRI, Talking to a Robot in English, Henry Beitz, et al, Introduction to Data Structures (seminar)  
George Anas, BART, The BART Computer Control System, A. J. Nichols, AMI, Introduction to Microprocessors,  
Susan Nycum, attorney, Computer Crime, Doug Englebart, SRI, Human Augmentation Research Center, etc..

The other two Chapters are *the Golden Gate SIGBDP Chapter*, specifically concerned with Business Data Processing, and *the Bay Area SICDOC Chapter*, concerned with Systems Documentation.

*SUBSCRIBE or JOIN?* - Subscribing to the ACM Chapters' *Bit Dropper* will keep you informed about the activities of both the Peninsula and Golden Gate ACM Chapters, and the SIGBDP group. It will also furnish you with a comprehensive Calendar of Bay Area Computer-Related Events. Subscribing to the *SIGMICRO Newsletter* or the *SIGPLAN Notices* will keep you informed of the activities of those groups. The same holds true for the *SICDOC News*.

*Joining* the local ACM (either Chapter) provides several advantages: Members receive somewhat reduced rates for the dinners at the Chapter meetings, and for the tutorials and seminars. They also receive the *Bit Dropper* as part of their membership, thereby receiving it for \$1 less than the subscription cost (available primarily for nonmembers and institutions). However, local ACM membership requires current or foreseeable national ACM membership... and that costs \$11-\$35.

Incidentally, both the local and national ACM allow special reduced membership rates for students.

If you have further questions, contact: Jim Warren, Star Rt. Box 111, Redwood City 94062, (415)851-7075, 851-7664 .

Please, furnish as much information as possible. It helps your association to better serve your interests. The minimum information you need furnish is your name, mailing address, and membership/subscription choices. The additional information, however, is of significant assistance in our serving our membership:

It provides indications of the make-up and variety of our membership. This aids in planning of meetings, speakers, topics, seminars, tutorials, etc., so that we may better provide--

- Some programs likely to interest a large majority, and
Some programs specialized for each identifiable group and interest-area.

It is often helpful or necessary to be able to--

- Contact someone at work, or at home in the evening or on a weekend,
Identify everyone working or living in a particular geographic area,
Contact someone in a particular position or having specific interests or expertise, or
Identify everyone working within a particular company, institution, division, or site.

To use the Business Reply Mailer:

Insert your check for the chosen fees, so that it will cross the folds, centered where you will place a staple. Fold in the obvious manner, exposing the Business Reply Mailer. Staple it closed with a SINGLE staple that pierces the enclosed check, and mail it.

fold here

FIRST CLASS
PERMIT NO. 770
SUNNYVALE, CA

BUSINESS REPLY MAIL
NO POSTAGE STAMP NECESSARY IF MAILED IN THE UNITED STATES

POSTAGE WILL BE PAID BY

BAY AREA A.C.M.
P. O. BOX 60355
SUNNYVALE, CA 94088



fold here

ACM SIG/SIC's, and other computer-related organizations that particularly attract your interest (no matter whether you are one of their members or subscribers):

Computer topics and subject areas that are of particular interest interest to you:

Additional comments & questions: This might include (but is certainly not limited to):
Prospective new members or subscribers (name, address),
'Very important people' who should be kept informed of our activities (name, address, justification),
Possible speakers, including yourself (name, address, topics)
Topics for meetings, tutorials, and seminars,
Locations for dinner meetings, technical meetings, seminars, and tutorials,
Etc..

If you would like more copies of this form for distribution to your professional associates and friends:

quantity mail to: [ ] work [ ] residence

LISHUSTEK

# HOMEBREW COMPUTER CLUB

# NEWSLETTER

---

Robert Reiling, editor □ Post Office Box 626 □ Mountain View, CA 94042

---

Volume Number 2, Issue 2

February 29, 1976

THIS MONTH - Robert Reiling

BILL GATES - One response to Bill's letter to hobbyists that appeared in our last Newsletter is included in this issue. It is one opinion and, in fact, may represent the predominant thinking of hobbyists on this subject. Nevertheless there are other views and the next Newsletter will present one.

HARDWARE - Ray Boaz reports on the AMI 6800 microcomputer evaluation board for the OEM market. It's a big board with many features that will interest the hobbyist and the potential commercial user.

SOFTWARE - Last month I asked for software material and Jim Brick responded with an ASCII Keyboard Hexadecimal Loader. Many hobbyists can put this program to work immediately. It's on page six. The Newsletter could use more material like Jim's so how about sending a routine to me.

HOBBYIST CLUBS - Clubs are underway in many parts of the USA. A list is included in this issue of several clubs along with address information and newsletter data. If you plan to visit or move to the areas where these clubs are located why not write them in advance for meeting location and dates.

CLUB LIBRARY - Library materials (assorted) are kept by Gordon French and you may make arrangements with him for loans. One thing, however, make your request specific so that Gordon can help with your need. Also, respect his request to limit telephone calls to week nights between 7:00 P.M. and 10:00 P.M. More library information, Gordon's telephone number, and a book review by Ray Boaz are in this issue on page five.

DATA FILE - If you need Teletype equipment it's available in the Bay Area and the organizations listed on the DATA FILE page have expressed an interest in supplying the hobbyist. Other terminal devices will probably be on hand too.

BULLETIN BOARD - This is a collection of general items, sometimes commercial and sometimes just there because I thought it was of interest. If you need help, want to buy, sell, or whatever send information to me for this page.

HOW TO GET THE NEWSLETTER ETC. - Anyone interested in computers as a hobby may receive the Newsletter by sending his address to me and requesting it. The Newsletter is mailed monthly with the exact date being subject to all sorts of conditions etc. that affect me and consequently the schedule. If you have an input to the Newsletter send it and I will try to publish it as quickly as possible. Just for the record, however, I can't promise that everything sent will be published.

The Newsletter is paid for by donations. This will continue as long as donations at least equal the costs. What are the costs? Paid for are reproduction costs, postage, labels for addressing, some typing, and a few miscellaneous items. No one receives a salary or any other payment for submitting articles or spending an amazing number of hours "getting the Newsletter out".

CLUB MEETING SCHEDULE - Meetings are held every two weeks; March 17th, March 31st, April 14th, etc. Location of the meetings is Stanford Linear Accelerator Center, Menlo Park, California. Meetings begin at 7:00 P.M. Ask the guard at the gate for directions to the meeting room.

20 February 1976

Mike Hayes, MNH-AE  
P. O. Box 167  
Port Orchard, Wash. 98366

Bill Gates, Micro-Soft  
1180 Alvarado S.E. No. 114  
Albuquerque, New Mexico 87108

Regarding your Letter of 3 February 1976 Appearing in Homebrew  
Computer Club Newsletter Vol. 2 No. 1

Dear Mr. Gates:

Your software has helped many hobbyists, and you are to be thanked for it! However, you should not blame the hobbyists for your own inadequate marketing of it. You gave it away; none stole it from you. Now you're asking for software welfare so you can give more away. If \$2/hr is all you got for your efforts, then \$2/hr is what they're worth on the free market. You should either change your product or change your way of selling it, if you feel it'll bring more money. I'm sure that if I were MITS, I'd be chuckling all the way to the bank over the deal I got from you. After all, your marvelous software has allowed them to sell a computer which, without it, none would have touched, except as a frustrating novelty item.

I congratulate you and MITS upon being major influences in the founding of the computer hobby market. It's too bad you didn't get the profit from your efforts that they did from theirs, but that's your fault, not theirs or the hobbyists. You underpriced your product.

If you want monetary reward for your software creations, you had better stop writing code for a minute and think a little harder about your market and how you are going to sell to it. And, by the way, calling all of your potential future customers thieves is perhaps "uncool" marketing strategy!

Sincerely yours,

*Dr. Michael N. Hayes*

MNH-Applied Electronics

Copy to: R. Reiling  
Homebrew Computer Club



COMPUTER HOBBYIST CLUBS/NEWSLETTERS

Here is a partial listing of computer hobbyist clubs. These clubs have sent newsletters or other material about their club. All clubs are growing rapidly as more and more computer hobbyist's get together. If you know of other clubs please send information about them for future newsletters.

AMATEUR COMPUTER GROUP OF NEW JERSEY  
S. Libes, ACG-NJ  
U.C.T.I.  
1776 Raritan Road  
Scotch Plains, N.J. 07076  
Newsletter-ACGNJ News

HOME BREW COMPUTER CLUB  
P. O. Box 626  
Mountain View, CA. 94042  
Newsletter - Homebrew Computer  
Club Newsletter

RAY AREA MICROPROCESSOR USERS GROUP  
4565 Black Avenue  
Pleasanton, CA. 94566  
Newsletter - Under Consideration.  
May input to HCC Newsletter.

LLLRA HOBBYIST COMPUTER GROUP  
c/o Charles D. Hoover  
35 West Essex Street  
Stockton, CA 95204  
Newsletter-LLLRA Hobbyist  
Computer Group

CACHE (Chicago Area)  
P. O. Box 36  
Vernon Hills, Illinois 60061  
Newsletter - CACHE Newsletter

LONG ISLAND COMPUTER ASSOC.  
Morris Balamut, Newsletter Editor  
P.O. Box 864  
Jamaica, N.Y. 11431  
Newsletter - The Stack

CLEVELAND DIGITAL GROUP  
C/O G. Henkel  
6590 Chaffee Ct.  
Cleveland, Ohio 44141  
Newsletter - The Digital Digest

SOUTHERN CALIFORNIA  
COMPUTING SOCIETY  
Box 987  
South Pasadena, CA 91030  
Newsletter - Interface (Magazine)

DENVER AMATEUR COMPUTER SOCIETY  
P. O. Box 6338  
Denver, CO. 80206  
Newsletter - DACS Newsletter

THE COMPUTER HOBBYIST  
GROUP - NT  
Bill Fuller, Newsletter Editor  
2377 Dalworth 157  
Grand Prairie, TX 75050  
Newsletter - The Computer  
Hobbyist Group - NT Newsletter

EL PASO COMPUTER GROUP  
9716 Saigon Drive  
El Paso, TX. 79925  
Newsletter - Version

You may have a favorite hardware item or know of new items arriving on the market that will interest the hobbyist. Send a review and I will try to get it into the Newsletter. Mail your material to Robert Reiling, editor HOME BREW COMPUTER CLUB NEWSLETTER, Post Office Box 626, Mountain View, CA 94042.

AMI PROTOTYPE BOARD - Ray Boaz

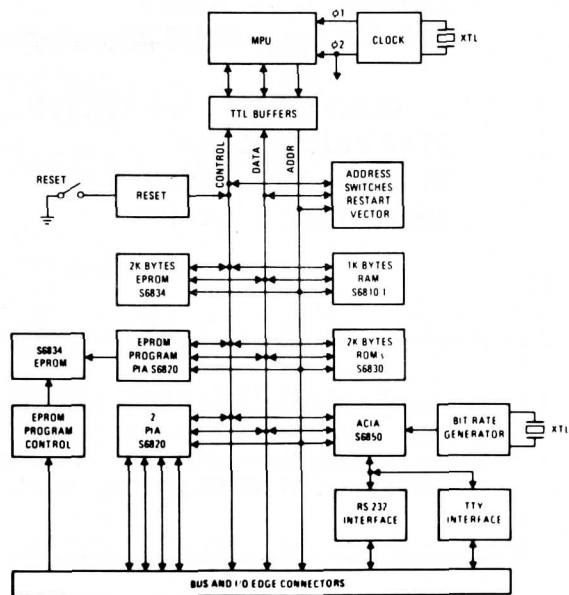
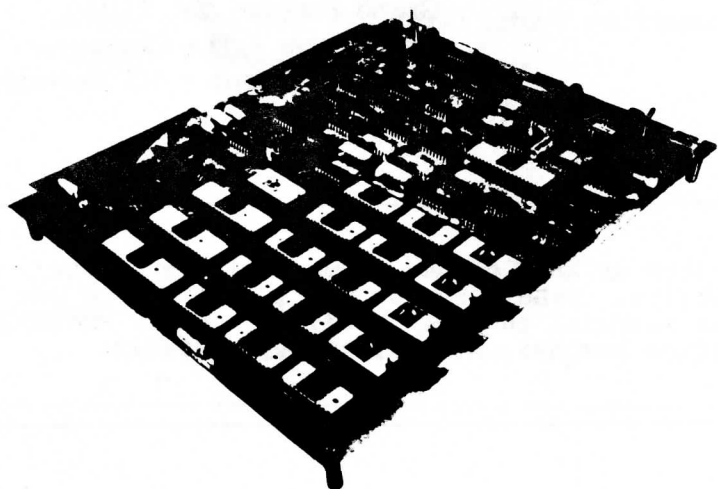
AMI has designed a 6800 microcomputer evaluation board for the OEM market which has great possibilities for the hobbyist market also. It is a 10-1/2" X 12" double-sided PC board with two edge connectors, one for the MPU bus lines and the other for I/O. Of the 68 chips on the board, 19 are 6800 family parts. The board takes 5V @ 3A (fully loaded) if no EPROM or RS232 interface are required. Alone the board is not a microcomputer kit, but add more memory and a power supply and you have a microcomputer without comparison on the hobbyist market today.

The major features are - 2K ROM (6830), 2K EPROM (6834), 3 PIA's (6820), 1K RAM (6810), 1 ACIA (6850) for TTY or modem I/O, TTY or RS232 interface, EPROM programming on board for 6834's, selection of crystal or variable speed clock, interval timer, bit rate generator for selectable band rates, selectable restart address, selectable DMA mode, and completely buffered MPU lines at the edge connectors.

Software supplied in ROM consists of a complete monitor plus a ROM subroutine program library. By using the software interrupt instruction with an additional one byte offset, 25 subroutines may be called by the user at anytime. Included in the subroutine library are: add A and B to X or subtract A and B from X (16 bit operations); multiply A by B with a 16 bit result; print a message string; push all status registers; pop all status registers; print 2 or 4 hex characters; and two breakpoint subroutines. One type of breakpoint stops the program and prints the contents of the status registers, the other prints the status and continues the program.

Complete documentation and a users manual are supplied with the evaluation board. Also the ROM program has a complete listing so that the user knows what he has in firmware.

For the hobbyist it is a real value because he can buy the board with all parts or just the minimum required to get started, then add more as needed. Anyone who is considering a 6800 system should look into this kit from AMI before they buy any other kit.



BLOCK DIAGRAM

CLUB LIBRARY

Gordon French keeps the Club's library materials available for Club Members. The library consists of materials (documents, tapes, books, etc.) that have been given to Gordon for keeping in a central location. Gordon will loan these materials to responsible persons to help them get their systems up and running. All loaned materials must be returned. The Club nor Gordon have any reproduction facilities and cannot make copies of library materials. No copies are or will be made by the library.

If you have programs or other material that will be useful to fellow hobbyists, why not provide a copy or two to Gordon. Don't forget to provide documentation explaining your programs. Additionally, send information about your donation to the Newsletter.

Gordon French (415) 325-4209 7:00 to 9:00 P.M.

BOOK REVIEW - AN INTRODUCTION TO MICROCOMPUTERS  
Adam Osborne and Associates, Inc.

Until recently when asked to recommend a book on microcomputers, I could not. But now there is an outstanding book dealing with the whole range of microcomputers. My first flip through this book pointed out what appeared to be a rather shallow approach (but I paid the \$7.50 for it). However, on a complete reading for this review, I can say that Osborne has done a "standing ovation" job. It is an education for the novice, a handbook for the user (hobbyist or pro), and a reference for the "know-it-all."

The first good sign is the lack of manufacturing technologies (we just want to use the chips) and the use of a "general microcomputer" rather than "A" manufactures chip. The book is well organized and printed in such a manner that can only be an aid to the reader - boldface and light face type with subject matter in boxes at the right side of the page. A few pages on what a microcomputer is (Chapter 1), a few more on basic logic (Chapter 2), a few more on basic computer terms and operations (Chapter 3), and then into the CPU. Chapter 4 designs a CPU chip - what it is and how it works. Chapter 5 is all about the additional logic required - memory, interrupt handling, DMA, serial I/O, and real time logic. Chapter 6 (109 pages) is worth at least as many bucks in the cost of the book. It covers programming completely, going from basic information all the way to developing an instruction set for the "general microcomputer." Along the way addressing modes, page concept, sub-routines, branching, skipping, the stack, and interrupts are well covered. The summary of the "general instruction set" is put into table form and classified as to type of instructions. Which is used in Chapter 7 - Some Real Microcomputers - to classify the instructions for the several microprocessor chips covered. No comparison between chips is made but each is compared to the "general microcomputer" developed in the preceding chapters. Each chip covered has a summary of its instruction set - Intel could do well in using the one for the 8080, it is the best one around for it. Chapter 8 polishes off the apple with some guidelines to follow when selecting a micro-compressor chip.

Buy this book, READ IT, and know that you have done better than spending hundreds of dollars on a manufacturers design class.

Ray Boaz

ASCII KEYBOARD HEXADECIMAL LOADER - Jim Brick

This program allows one to key Hex characters directly into memory on an ALTAIR or IMSAI machine (actually, any 8080). Each word (Hex digit pair) is echoed in LEDs (front panel LEDs on IMSAI or your own design on the ALTAIR). Backspace capability is provided. This program was written to work with a cheap SWTP keyboard hooked directly to a parallel I/P port. The address portion of the first instruction is changed to point to where loading is to begin.

```

0004 ; ASCII KEYBOARD HEXADECIMAL LOADER
0005 ; WITH BACKSPACE AND ECHO (CANCEL KEY = BACKSPACE)
0006 ; FOR LEDS WITH INVERTERS, CHANGE THE 2 'CMA'
0007 ; INSTRUCTIONS TO NOP'S.
0008 ;
0009 ; BY JIM BRICK
0010 ;
00 FE 0011 INPUT EQU 0FEH ;INPUT PORT
00 FF 0012 OUTPUT EQU 0FFH ;OUTPUT PORT
00 30 0013 CANCEL EQU 030H ;KEYBOARD CANCEL CODE (SHIFTED)
0014 ;
0015 ; ORG 0400H ;
0400 21 00 00 0016 HEXLDR: LXI H,0000 ;LOAD ADDRESS (CHANGE TO SUIT)
0403 31 00 10 0017 BEGIN: LXI SP,1000H ;INITIALIZE STACK POINTER
0406 CD 1E 04 0018 INLP: CALL READ ;GO READ KEYBOARD
0409 07 0019 RLC ;SWAP LEFT
040A 07 0020 RLC ; 4 BITS
040B 07 0021 RLC ; WITH RIGHT 4
040C E6 F0 0022 ANI 0F0H ;KEEP ONLY LEFT 4 BITS
040E 77 0023 MOV M,A ;SAVE IN MEMORY
040F CD 1E 04 0024 CALL READ ;GO READ KEYBOARD
0412 1F 0025 RAR ;RESTORE RIGHT 4 BITS
0413 E6 0F 0026 ANI 0FH ;KEEP ONLY RIGHT 4 BITS
0415 B6 0027 ORA M ;COMPLETE 8 BIT WORD
0416 77 0028 MOV M,A ; INTO MEMORY
0417 2F 0029 CMA ;COMPLEMENT AC FOR IMSAI LEDS
0418 D3 FF 0030 OUT OUTPUT ;ECHO WORD IN LEDS
041A 23 0031 INX H ;NEXT MEMORY LOCATION
041B C3 06 04 0032 JMP INLP ;GO GET NEXT WORD
041E DB FE 0033 READ: IN INPUT ;READ KEYBOARD
0420 07 0034 RLC ;'KP' BIT INTO CARRY
0421 D2 1E 04 0035 JNC READ ;LOOP IF 'KP' LOW (KEY STILL DOWN)
0424 DB FE 0036 BITS: IN INPUT ;'KP' HIGH, GET NEXT CHARACTER
0426 07 0037 RLC ;'KP' INTO CARRY
0427 DA 24 04 0038 JC BITS ;LOOP IF 'KP' HI (KEY NOT PRESSLD)
042A 47 0039 MOV B,A ;SAVE AC
042B E6 80 0040 ANI 080H ;NUMERIC?
042D 78 0041 MOV A,B ;RESTORE AC
042E CA 35 04 0042 JZ TCAN ;OK IF NUMERIC
0431 D6 02 0043 SUI 02 ;-1 (SHIFTED)
0433 C6 14 0044 ADI 014H ;MAP TO A-F
0435 FE 30 0045 TCAN: CPI CANCEL ;PRESSED KEY = CANCEL?
0437 C0 0046 RNZ ;NO IF .NZ. ,RETURN
0438 2B 0047 DCX H ;DECREMENT MEMORY POINTER
0439 7E 0048 MOV A,M ;MEMORY INTO AC
043A 2F 0049 CMA ;COMPLEMENT AC FOR IMSAI LEDS
043B D3 FF 0050 OUT OUTPUT ;ECHO IN LEDS
043D C3 03 04 0051 JMP BEGIN ;GET NEXT CHARACTER
0052 END ;

```

\*\*OBJECT CODE (HEX) \*\*

0400	2100	0031	0010	CD1E	0407	0707	E6F0	77CD
0410	1E04	1FE6	0FB6	772F	D3FF	23C3	0604	DBFE
0420	07D2	1E04	DBFE	07DA	2404	47E6	8078	CA35
0430	04D6	02C6	14FE	30C0	2B7E	2FD3	FFC3	0304

# DATA FILE

00 000 110

## TELETYPE EQUIPMENT

Teletype equipment is available locally to the computer hobbyist. Other sources are probably available but have not come to our attention. If your favorite supplier has been overlooked, please send data for a future newsletter.

- CALL COMPUTER  
1961 Old Middlefield  
Mountain View, CA 94043  
Rental/Lease Terminals (415) 964-5331
  
- DATA TERMINALS COMMUNICATIONS  
1190 Dell Avenue  
Campbell, CA 95008 (408) 378-1112  
  
KSR33s start at \$600 for rebuilt, as new, machines.  
10-15% off for HCC members (standard equipment  
only). Contact B. J. Worley at extension 20.
  
- SOLID STATE MUSIC  
2102A Walsh Avenue  
Santa Clara, CA 95050 (408) 246-2707  
  
TYMSHARE MODEL 200 (ASR33 with EIA interface installed  
and flourescent lamp for copy reading) rebuilt like new,  
guaranteed 90 days \$750.00. Acoustic coupler and modem  
available, TYMSHARE 900-1 guaranteed 90 days, \$75.
  
- WORLDCOM INC.  
1240 Mt. View-Alviso Rd., Suite E  
Sunnyvale, CA 94086 (408) 734-1560  
  
ASR33 and KSR33 terminals for sale and lease. Full  
maintenance available. Available for sale are KSR33s  
\$500 and ASR33s \$900-\$1,000. Terminals lease from  
\$45 per month and couplers lease from \$15 per month.  
Other lines available on request. Contact Joe Gaynor.

NOTE - All prices listed are approximate and subject to change  
without notice.



## BULLETIN BOARD

HELP - Need direct contact with RGS-008A system owner who has his up - working and knows program entry process including: Cassette, keyboard, TTY interfaces (at least), Would like TVT-1 program for interface as well. Contact Gerald McKee, Box 992, Okmulgee, OK 74447. (918) 756-2978.

MULTIPLE PURCHASE OF AMI PROTOTYPE EVALUATION BOARDS - The AMI board reported on in this issue is being sold to groups of 25 at \$142.00 (cost of board - tax - \$1.00 expense fee). Included in this sale is: the PC board; 1-6800; 4-6810 RAM; 1-6820 PIA; 2-6830 ROM (or AMI equivalent); 1-6850 ACIA; complete documentation - users manual, parts list, placement chart, and ROM listing. All other parts must be purchased by buyer. Contact Ray Boaz (415) 494-7400 Ext. 5855, 9-4 Mon-Fri.

SCM EQUIPMENT - SASE puts you on roster for buy/sell/swap. W. J. Schenker, M.D., 2086 Essenay, Walnut Creek, CA 94596 (415) 687-8804.

MIKE 2 INFORMATION PACKET - Packet number one is now available for delivery. The price is \$5 and this is a must item for all MIKE 2 owners. Several copies have been purchased by owners of other 8008 based systems and the over 60 pages of software listings should be useful to them with appropriate changes in the I/O.

The real hope is that this info packet will provide the impetus for the formation of an active national MIKE user organization. Plans have been made to send out a roster of known MIKE owners to all those that I have been able to locate. James W. Farschon, 3949 Mt. Everest Blvd., San Diego, CA 92111.

TRY COMPUTER GAMES - A wide selection of games suitable for use with elementary and high school curricula. Players find themselves challenged to guess the computer's secret word or secret number, where the hints are given in code; they can try to unscramble a list of numbers, beat the Taxman, or find the moving Cricket. There are simulation games where players try to land a spaceship without crashing, manage the resources of a country, or direct the operations of a small business. Community Computer Center, 1919 Menalto Ave., Menlo Park, CA 94025. (415) 326-4444.

ACOUSTIC COUPLER - GTE acoustic couplers (not a modem) with amplifier and EIA connector \$15. Solid State Music, 2102A Walsh Ave., Santa Clara, CA. 95050 (408) 246-2707.

WRITE FOR FLYER - Premier offering to computer enthusiasts. Parts, IC's, keyboards, cassette board, etc. Sargent's Dist. Co., 10268 Rosecrans, Bellflower, CA. 90706.

COMPANY WANTS HOBBYIST INPUTS - A small company is interested in supplying microcomputer systems and peripherals to the hobbyists, small business, and educational user. They need suggestions on what types of equipment or software, especially novel items, that would be used. Write with your suggestions and ask to be placed on mailing list. MinTerm Associates, Box 268, Bedford, Mass. 01730.

Check items about which you would like further information:

Concerning the San Francisco Bay Region ACM Chapters [PL\* = 8]:

- ( ) 1 Please forward a copy of *San Francisco Bay Region ACM Activities*

I have read the above publication, but would like still more info concerning:

- ( ) 2 Peninsula ACM Chapter activities in general  
 ( ) 3 Golden Gate ACM Chapter activities in general  
 ( ) 4 Scheduling & arrangements for monthly speakers & meetings  
 ( ) 5 Formal seminars & tutorials organized or sponsored by the Chapters  
 ( ) 6 Rotating loan fund programs for students at Stanford & De Anza  
 ( ) 7 Youth groups & youth activities conducted by the Chapters  
 ( ) 8 The Computer Exhibit  
 ( ) 9 The monthly publication, the *Bit Dropper*  
 ( ) 10 Other publications of the Chapters  
 ( ) 11 Sponsorship of publications  
 ( ) 12 Chapter representatives in companies & institutions  
 ( ) 13 Scheduling and arrangements for facilities for activities  
 ( ) 14 Membership drive activities  
 ( ) 15 Member & subscriber data-base maintenance  
 ( ) 16 Publicity arrangements for forthcoming events  
 ( ) 17 Public relations & Press liaison  
 ( ) 18 Executive Council organization, meetings & activities  
 ( ) 19 By-Laws & elections for the Chapters  
 ( ) 20 Chapter hospitality activities  
 ( ) 21 Peninsula SIGPLAN Chapter (Programming Languages)  
 ( ) 22 Peninsula SIGMICRO Chapter (Microprogramming & Microprocessors)  
 ( ) 23 Golden Gate SICDOC Chapter (Systems Documentation)  
 ( ) 24 Golden Gate SIGBDP Chapter (Business Data Processing)

Check items about which you wish further information. We will forward your request to them:

Concerning the national ACM [PL\* = 6]:

- ( ) 25 National ACM activities & membership  
 ( ) 26 Institution & corporate affiliation  
 ( ) 27 Regional & local ACM groups, nationwide  
 ( ) 28 Pacific Regional Representative  
 ( ) 29 ACM ombudsman program  
 ( ) 30 National ACM Constitution & By-Laws  
 ( ) 31 All national SIG's & SIC's (Special Interest Groups & Committees)  
 ( ) 32 National ACM SIGPLAN activities & publications  
 ( ) 33 National ACM SIGMICRO activities & publications  
 ( ) 34 National ACM SICDOC activities & publications  
 ( ) 35 National ACM SIGBDP activities & Publications

Concerning other computer-related professional organizations having local groups and activities [PL\* = 6]:

- ( ) 36 ASM (Association for Systems Management)  
 ( ) 37 ATSU (Association for Time Sharing Users)  
 ( ) 38 DPMA (Data Processing Management Association)  
 ( ) 39 FORTRAN Language Development Group  
 ( ) 40 IEEE Computer Society  
 ( ) 41 IEEE (Institute of Electrical & Electronics Engineers)

Concerning other computer-related professional organizations [PL\* = 6]:

- ( ) 42 ACL (Association for Computational Linguistics)  
 ( ) 43 AEDS (Association for Education Data Systems)  
 ( ) 44 AFIPS (American Federation of Information Processing Societies)  
 ( ) 45 BCS (British Computer Society)  
 ( ) 46 SCS (Society for Computer Simulation)  
 ( ) 47 SID (Society for Information Display)

Other professional and standards organizations of possible interest [PL\* = 5]:

- ( ) 48 AMS (American Mathematical Society)  
 ( ) 49 ANSI (American National Standards Institute)  
 ( ) 50 ASA (American Statistical Association)  
 ( ) 51 CMC (California Mathematics Council)  
 ( ) 52 MAA (Mathematical Association of America)  
 ( ) 53 NBS (National Bureau of Standards)  
 ( ) 54 NCTM (National Council of Teachers of Mathematics)  
 ( ) 55 NTIS (National Technical Information Service)  
 ( ) 56 SIAM (Society for Industrial & Applied Mathematics)

Major educational institutions in the San Francisco Bay region, offering programs of possible interest to computer and information processing professionals [PL\* = 4]:

- ( ) 57 De Anza Junior College, Extension & Evening Programs  
 ( ) 58 San Jose State University  
 ( ) 59 Stanford University, Digital Systems Lab & Electrical Engineering  
 ( ) 60 Stanford University, Computer Science  
 ( ) 61 U of Calif. at Berkeley, EE and Computer Science  
 ( ) 62 U of Calif. at Berkeley, Extension Division  
 ( ) 63 U of Calif. at San Francisco, Medical Information Sciences Program  
 ( ) 64 University of Calif. at Santa Cruz, Computer Science  
 ( ) 65 University of Calif. at Santa Cruz, Summer Programs  
 ( ) 66 University of San Francisco, Computer Science  
 ( ) 67 University of Santa Clara, Electrical Engineering & Computer Science

Check local Chapters' activities with which you might be interested in assisting.

Monthly ACM Chapters' speakers:

- ( ) 1 Locating speakers, obtaining abstracts, etc.  
 ( ) 2 Serving as a speaker

Tutorials & Seminars:

- ( ) 3 Organization and administration  
 ( ) 4 Teaching tutorials and leading seminars

Youth Groups:

- ( ) 5 Organization, administration, providing facilities, etc.  
 ( ) 6 Sponsorship, guidance, and assistance

Computer Exhibit:

- ( ) 7 Organization, administration and transportation  
 ( ) 8 Repair, up-grading, and maintenance

The *Bit Dropper*:

- ( ) 9 Writing articles  
 ( ) 10 Editing, copy preparation, paste-up, etc.  
 ( ) 11 Printing  
 ( ) 12 Collating, folding, stapling  
 ( ) 13 Addressing, bundling by ZIP code  
 ( ) 14 Transportation, mailing  
 ( ) 15 Other publications: Suggestions  
 ( ) 16 Providing financial or printing-facility support  
 ( ) 17 Company or institution representative

Facilities for forthcoming activities:

- ( ) 18 Arranging and scheduling  
 ( ) 19 Providing such facilities

Publicity and Public Relations:

- ( ) 20 Prepare handbills, posters, news releases, etc.  
 ( ) 21 Distribute such printed publicity materials  
 ( ) 22 Post handbills and posters around your organization  
 ( ) 23 Initiate and maintain PR and publicity contacts

Membership Drive:

- ( ) 24 Locate and obtain mailing lists and labels  
 ( ) 25 Process such lists and label-sets (manually & via computer)  
 ( ) 26 Follow-up on requests for membership/subscription information  
 ( ) 27 Follow-up on previous members/subscribers who do not renew

Membership/Subscription data-base:

- ( ) 28 Design, implement, and up-grade the system  
 ( ) 29 Data entry  
 ( ) 30 Data verification and correction  
 ( ) 31 Data updating, changes of address, etc.  
 ( ) 32 Prepare mailing labels, reports, summaries, etc.

SIG/SIC activities - Group(s) you may assist:

- |                                 |                                |
|---------------------------------|--------------------------------|
| ( ) 33 SIGPLAN                  | ( ) 38 Tutorials & seminars    |
| ( ) 34 SIGMICRO                 | ( ) 39 Publications            |
| ( ) 35 SICDOC                   | ( ) 40 Facilities arrangements |
| ( ) 36 SIGBDP                   | ( ) 41 Publicity               |
| ( ) 37 Monthly SIG/SIC speakers | ( ) 42 Memberships & subs.     |

Non-profit computer-related Bay region organizations [PL\* = 3]:

- ( ) 68 CCC (Community Computer Center)  
 ( ) 69 HCC (Homebrew Computer Club)  
 ( ) 70 PATCA (Professional & Technical Consultants Assoc.)  
 ( ) 71 PCC (Peoples Computer Company)

Computer-related trade magazines (M) and newspapers (N) [PL\* = 2]:

Note: Unless marked "\$", subs are free to qualified professionals.

- ( ) 72 Byte (computer hobbyists) (\$M)  
 ( ) 73 Computer Decisions (M)  
 ( ) 74 Computer Design (M)  
 ( ) 75 Computerworld (\$N)  
 ( ) 76 Datamation (M)  
 ( ) 77 Digital Design (M)  
 ( ) 78 EDN (M)  
 ( ) 79 Electro-Mechanical Design (M)  
 ( ) 80 Electronics (\$M)  
 ( ) 81 Electronics Design (M)  
 ( ) 82 Electronics Engineering Times (N)  
 ( ) 83 Electronic Products (M)  
 ( ) 84 Infosystems (M)  
 ( ) 85 Minicomputer News (\$N)  
 ( ) 86 Modern Data (M)  
 ( ) 87 Northern Calif. Electronics News (\$N)  
 ( ) 88 PCC (\$N)  
 ( ) 89 R/D (M)

San Francisco Bay Region Chapters  
**ASSOCIATION FOR COMPUTING MACHINERY**  
 Post Office Box 60355  
 Sunnyvale, CA 94088

Nonprofit Org.  
 U.S. POSTAGE  
**PAID**  
 Sunnyvale, CA  
 Permit No.443

ADDRESS CORRECTION REQUESTED

LENNY SHUSTEK  
 P.O. BOX 3210  
 STANFORD, CA  
 94305



San Francisco Bay Region ACM / SIG / SIC Chapters      **MEMBERSHIP & SUBSCRIPTION**      Application and Information Request Form

**NAME:**  correct in the label      last name, other names       *PLEASE PRINT!*

**DIRECT MAIL TO:**     work     residence    *Beware! Some companies refuse to accept or distribute 3rd Class mail.*

**WORK:**      job/title/position/etc.

work address is correct on the label      organization (optional) secondary internal address

main mailing address (street or P.O.Box)       *PL\* (1-8) [ ]*

city, state & ZIP code       ZIP

*PLEASE PRINT!*      personal phone (area, number, extension)      AREA      NUMBER      EXTENSION      *PL\* (1-8) [ ]*

message phone (area, number, extension)      AREA      NUMBER      EXTENSION      *PL\* (1-8) [ ]*

**RESIDENCE:**      home mailing address (street or P. O. Box)

work address is correct on the label.      city, state & ZIP code       ZIP       *PL\* (1-8) [ ]*

residence phone (area & number)      AREA      NUMBER      *PL\* (1-8) [ ]*

**RECOMMENDED BY:**      (optional)

**FEES:**    **MEMBERSHIP** in a local ACM Chapter (*includes subscription to the Bit Dropper*)  
 Requires membership in national ACM.       National ACM number is on the label.  
*Regular membership - Give national ACM number, or date by which you expect to join:*  
 or  
*Student membership - Requires a faculty signature & name of institution:* \_\_\_\_\_

Peninsula Chapter or  
 Golden Gate Chapter  
 \$5.00/year (regular)  
 \$3.00/year (student)

OFFICE USE:

**SUBSCRIPTIONS** (do *not* require membership in any organization, ACM nor SIG/SIC)  
 SIGBDP (Special Interest Group on Business Data Processing), notices via the *Bit Dropper*  
 SICDOC News (Special Interest Committee on Systems Documentation)  
 SIGMICRO Newsletter (Special Interest Group on Microprogramming & microprocessors)  
 SIGPLAN Notices (Special Interest Group on Programming Languages & translators)

SIGBDP       no charge  
 SICDOC       \$2.00/year  
 SIGMICRO       \$2.00/year  
 SIGPLAN       \$2.00/year  
 Bit Dropper       \$6.00/year

*The Bit Dropper* (this subscription offered primarily for nonmembers & institutions; membership, above, includes a *Bit Dropper* subscription)

**MAIL THIS FORM TO:**  
 Peninsula ACM, P. O. Box 60355, Sunnyvale, CA 94088 (or)  
 Golden Gate ACM, P. O. Box 26044, San Francisco, CA 94126.

total fees: \_\_\_\_\_ enclosed  
 Make checks payable to "Bay Area ACM".

**NOTE:** Publications are not forwarded to new addresses. They are returned, postage due. Please inform us of changes of address, immediately. Allow 30-45 days for first delivery and address changes.

\*- PL = PRIVACY LOCK: By inserting a "key" between 1 and 8 in any "lock", you may control the Chapters' release of the associated personal information. If you do not insert a key, then the Chapter will insert a 1. Each lower-valued key includes all higher values.  
 8—Chapter officers and members with an explicit "need to know."  
 7—A (possible) Bay Region ACM Chapters Membership Directory.  
 6—Other computer-related professional organizations.  
 5—Other professional organizations.  
 4—Nonprofit Bay Area educational institutions.  
 3—Nonprofit computer-related groups.  
 2—Computer-related trade publications.  
 1—Anyone approved for release by Exec. Council.